



Application

- It is used for water circulation in small and medium-sized swimming pools. Slightly dirty water with solids in suspension can be perfectly filtered.

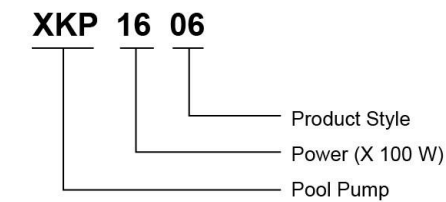
Pump

- Engineering plastic pump body
- Medium temperature: 5 - 50°C
- Environmental temperature: ≤40°C
- Max. suction: 3.5 m

Motor

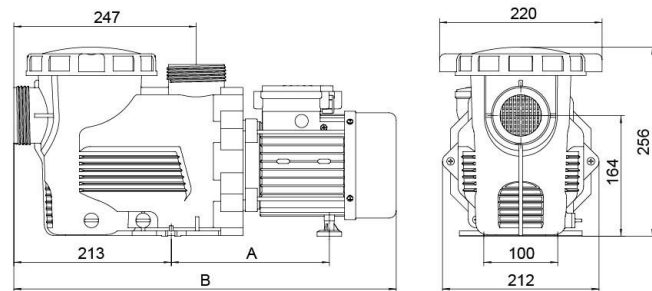
- Motor with copper or aluminum winding
- Built-in thermal protector for single phase motor
- Insulation class: F
- Protection class: IPX5

Identification Codes



Technical Data

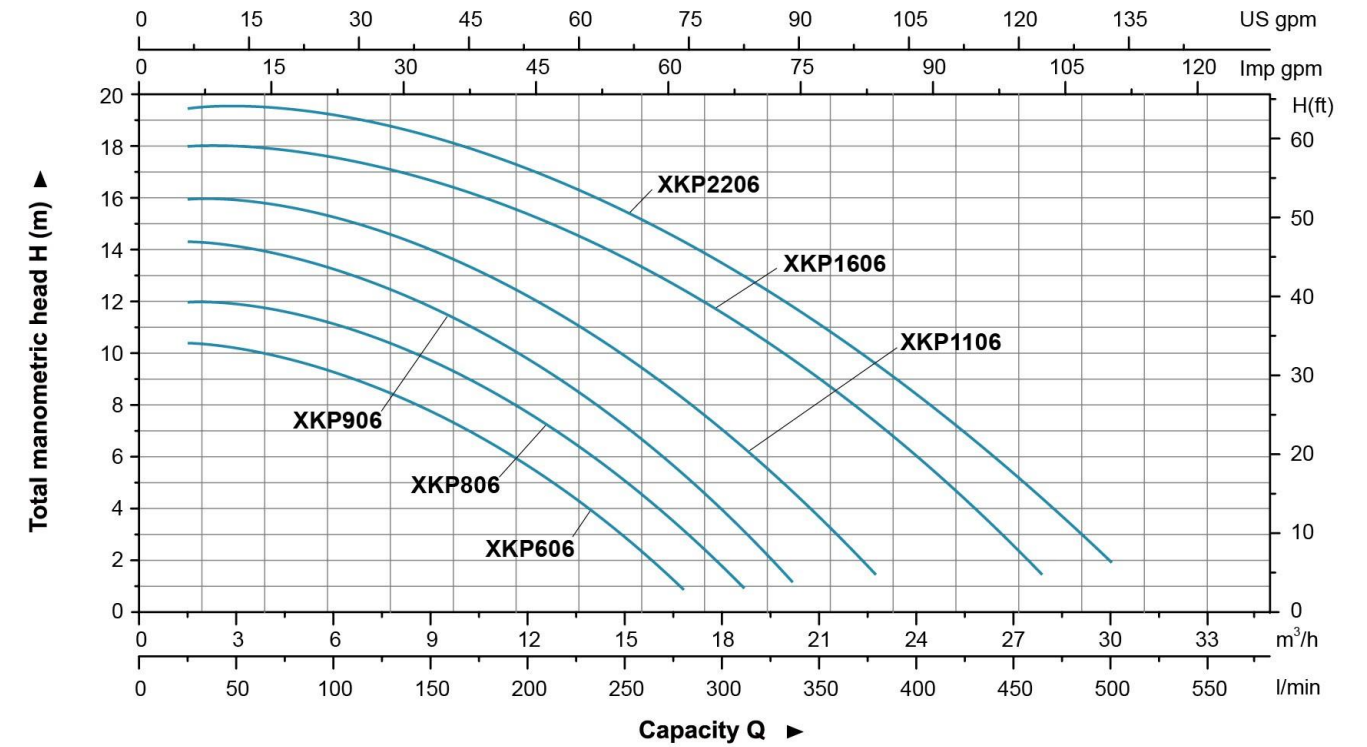
MODEL	POWER(P _i) W	Q(m ³ /h) Q(l/min)	0	6	12	18	24	30
			H (m)	10.5	9.4	5.7	-	-
XKP606	600							
XKP806	800							
XKP906	900							
XKP1106	1100							
XKP1606	1600							
XKP2206	2200							



Dimension

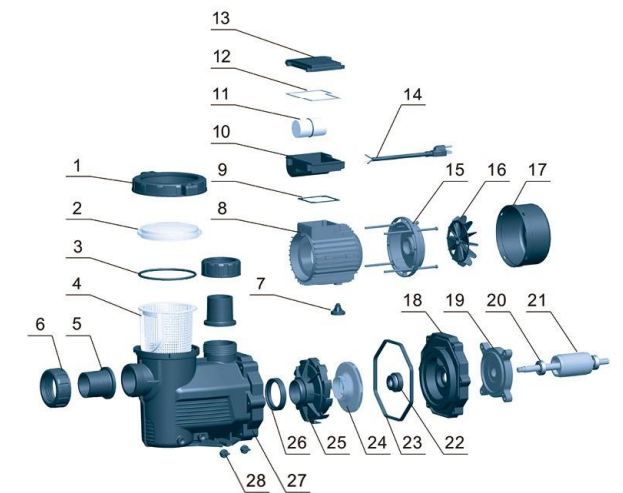
MODEL	A	B
XKP606	214	250
XKP806	214	250
XKP906	214	250
XKP1106	214	250
XKP1606	518	548
XKP2206	518	548

Hydraulic Performance Curves



Materials Table

No.	Part	Material	No.	Part	Material
1	Pump cover nut		16	Fan	
2	Pump cover		17	Fan cover	
3	O-sealing ring		18	Plastic rack	
4	Sieve		19	Pump support	
5	Water outlet connector		20	Ball bearing	
6	Nut		21	Rotor	
7	Support foot		22	Mechanical seal	
8	Motor stator		23	Switch seal washer	
9	Terminal box		24	Impeller	
10	Terminal box ring		25	Diffuser	
11	Capacitor		26	Switch seal washer	
12	Seal washer		27	Pump body	
13	Terminal cover		28	Drain plug	
14	Power cable				
15	End plate				



Package Information

MODEL	GW (Kgs)	L (mm)	W (mm)	H (mm)	Quantity (PCS/20'TEU)
XKP606	9.6	575	225	255	900
XKP806	10.4	575	225	255	900
XKP906	11.2	575	225	255	900
XKP1106	12.1	575	225	255	900
XKP1606	15.2	605	225	255	837
XKP2206	16.8	605	225	255	837

